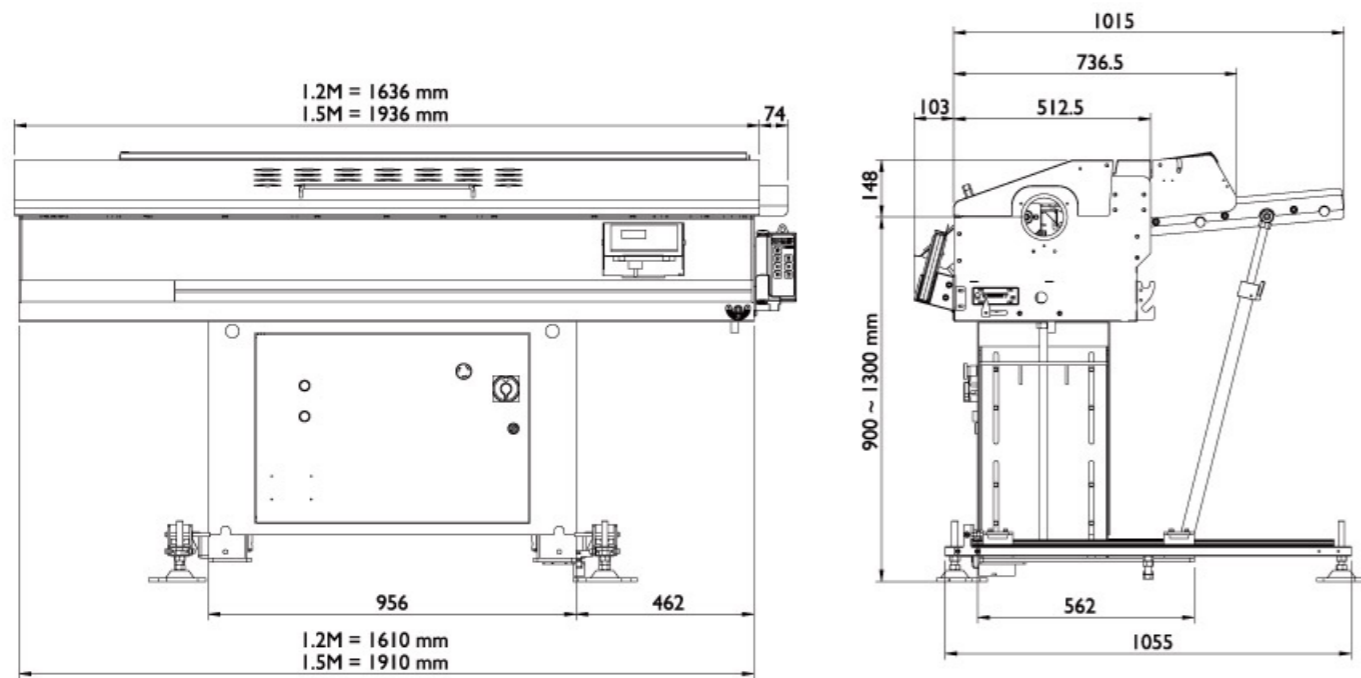


型號	MODEL	BSM 80 / BSM 80L	
材料長度	BAR LENGTH	1.2M / 1.5M	
材料外徑	MATERIAL DIAMETER	8 ~ 80 mm	
棒材置料量	BAR CAPACITY	80mm (7bars)	
機械長度	MACHINE LENGTH	1420.5mm	1720.5mm
機械寬度	MACHINE WIDTH	1018.1mm	
機械重量	MACHINE WEIGHT	1.2M - 360 KG / 1.5M - 400 KG	
主馬達	MOTOR	伺服馬達 SERVO MOTOR	
主電力	POWER SUPPLY	1 x 220v 60hz / 1 x 380v 50hz	
消耗功率	POWER CONSUMPTION	615W	

若需要其他資料請上網查詢 Check our website for more details Web Site: [www.barload.com.tw](http://www.barload.com.tw)

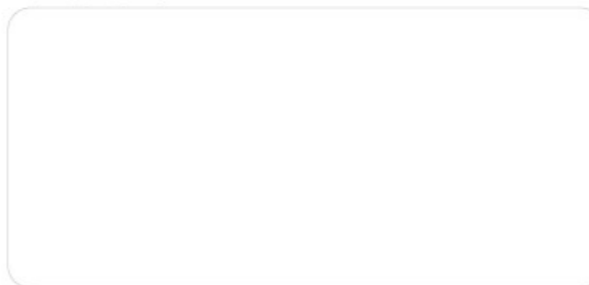


**富豪機電股份有限公司**  
**BARLOAD MACHINE CO., LTD.**

No. 138, Wei-Hsin Road, Shi-Pai Li, Chang-Hua City, Taiwan 50080  
 50080彰化市石牌里維新路138號  
 TEL: +886-4-7384895 FAX: +886-4-7320282  
 E-mail: [info@barload.com.tw](mailto:info@barload.com.tw)

[www.barload.com.tw](http://www.barload.com.tw)

經銷商 Agent



本公司保留設計變更的權利 All Rights Reserved.

15885000714CE-1



[www.barload.com.tw](http://www.barload.com.tw)



創新研發 · 台灣領航  
 品質追求 · 世界第一

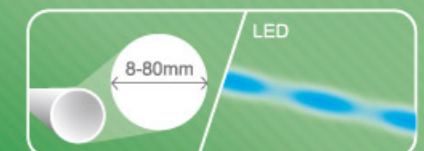
Quality Innovation  
 Reliability Experience



**BSM 80**  
 系列 Series  
 8 - 80 mm

**SHORT BAR FEEDER**

短棒材送料機





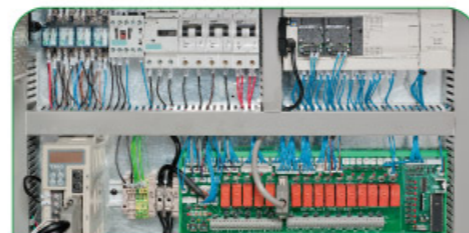
#### LED遠端監控 LED-stripe Display Features Operative Status

- ▶▶ LED燈光外部顯示器，送料加工中棒材長度、換料、送料機異常、車床異常等訊息經LED燈光顯示以視覺表現，方便工作人員遠距離監控。(專利)
- ▶▶ Equipped with LED external display. During bar feeding, various messages such as "bar length", "bar change", "feeder error", and "CNC lathe error" are more easily identified, permitting remote monitoring. (Patented)



#### 智慧型人機介面 Fuzzy Human Machine Interface

- ▶▶ 人機界面，設定簡易操作容易；人性化控制，異常故障排除容易。
- ▶▶ HMI display provides easier operation setting and quick trouble shooting.



#### 電控系統 Electrical System

- ▶▶ 內部PLC控制，易與任何CNC車床搭配。
- ▶▶ Servo control system for fast speed and accuracy.



#### 手控器 Movable Remote Controller

- ▶▶ 手控盒，易於操作，符合人體工學。
- ▶▶ Hand held remote control greatly increases operator control on machine.



#### 移動式腳座 Retraction device (Movable Rail)

- ▶▶ 移動式腳盤，方便主軸維修，更換皮帶，主軸襯套。
- ▶▶ Movable rail, convenient for machine service, changing belt or spindle liner.

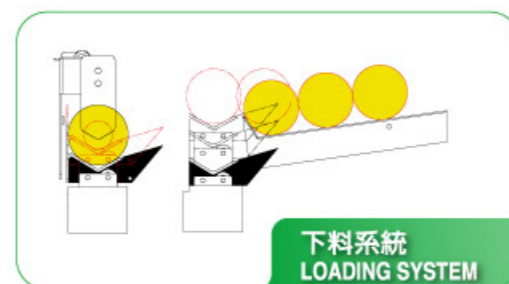


#### 伺服馬達 Servo Motor

- ▶▶ 伺服馬達送料快、準、順暢。
- ▶▶ Servo feeding fast and accurate, no risk of impact by the bar on the lathe clamping cylinder.

- 提高CNC車床加工密度與加工速度。
- 黑皮材料，六角材料適用。
- 伺服送料系統人機設定穩定精確。
- 更換材料時，材料中心人機設定調整。
- 全電式，無氣壓。
- LED燈可顯示加工中材料長度與CNC車床或送料機之異常顯示。
- 已通過CE認證。

- Increases speed and accuracy for CNC lathe.
- Servo feeding system. Fast and accurate.
- All electrical control mechanical driving transmission, no air required.
- External LED display, easier to monitor feeding situation.
- Fast bar change time less than 15 sec.
- CE certificated.



下料系統  
LOADING SYSTEM



# BSM 80 系列 Series

## SHORT BAR FEEDER

### 短棒材送料機